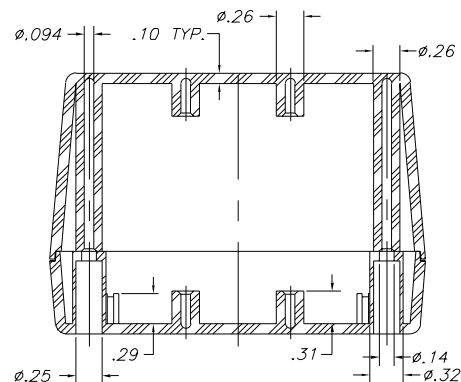
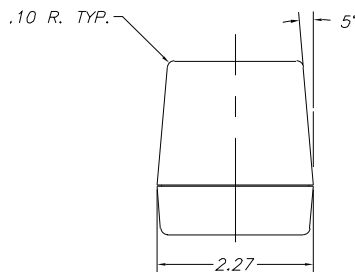
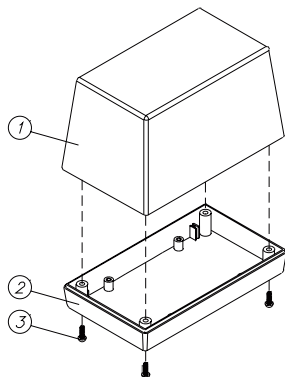
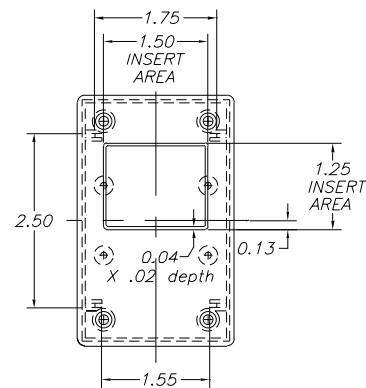
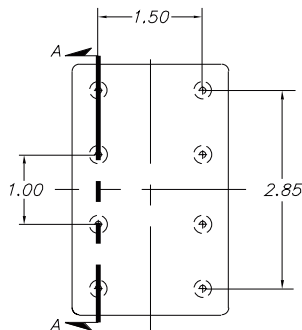
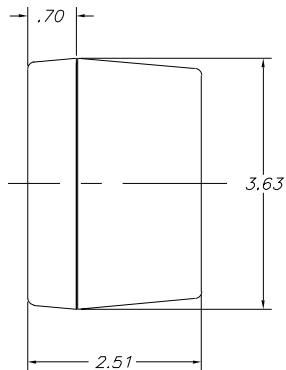


SERPAC 113

Electronics Enclosures

NOTES:
1. WHEN MACHINE OR I PLATES MODIFICATIONS ARE REQUIRED, USE THE CENTER OF THE BOX TO DIMENSION.



SECTION A-A

619 Commercial Ave. Covina, CA 91723

(626) 331-0517 Fax (626) 331-8584 <http://www.serpac.com>

8-17-98.

ALL DIMENSIONS ± .010

ITEM	PART NO.	DESCRIPTION	ACCESSORIES	
			PART NO.	DESCRIPTION
1	13	PLASTIC TOP	50	FEET
2	11	PLASTIC BOTTOM	310	PROTOTYPE GRID BOARD (HORIZ.)
3	6005	SCREWS (4)	410	PROTOTYPE CLAD BOARD (HORIZ.)
			313	PROTOTYPE GRID BOARD (VERT.)
			413	PROTOTYPE CLAD BOARD (VERT.)
			PS-11	PERIMETER SEAL
			PC	POCKET CLIP